

# Floor Sweep

## Ordering Information

- When ordering, specify material, gauge (if non-standard), dimension and end style.
- Galvanized or SS (optional) sheet metal with sturdy closing door.
- Quick and effective floor cleaning.
- Body 20 gauge, door 16 gauge.



Ø in.	Std Weight Lbs
3	5.80
4	6.90
5	7.30
6	7.55
7	7.75
8	8.25
9	9.50
10	11.75
11	13.20
12	15.70

## QF / Flanged Material Options

Gauges	Galv			SS			
	Size (in)			Size (in)			
	Min. Ø	Max. Ø		Min. Ø	Max. Ø		
Std	20	3	12	Std	20	3	12
Optional	18	4	12	Optional	18	8	12
	16	8	12		16	8	12

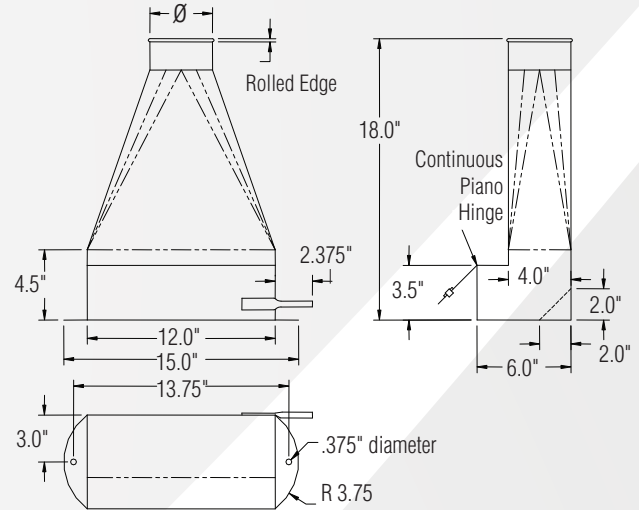
\*Other gauges available

### Construction

**Body:** lapped, spot welded and caulked.

**Collar:** has a laser welded longitudinal seam. Collar is attached to the body using a raised hemmed, spot welded seamed construction.

**Door:** 16ga.



# Drop Out Box

## Ordering Information

- When ordering, specify material, gauge (if non-standard), dimension and end style.
- The Drop Out Box stops large wood chips in the airstream. Inside the duct, deflectors knock chips downward into the built-in hopper.



Ø in.	Outlet Ø in.	Length in.	Height in.	Std Weight Lbs
6	4	44	20.25	60
7	4		20.75	64
8	6		21.25	69
9	6		21.75	75
10	8		22.25	80
11	8		22.75	85
12	10		23.25	89
14	12		24.25	96
16	14		25.25	106

Other sizes available upon request

## QF / Flanged Material Options

Gauges	Galv		
	Size (in)		
	Min. Ø	Max. Ø	
Standard	14 (collar 18ga on 6 and 7 inch sizes)	6	16

