

# SD Automatic Blast Gate 3242

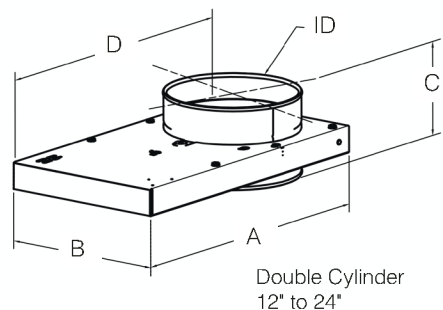
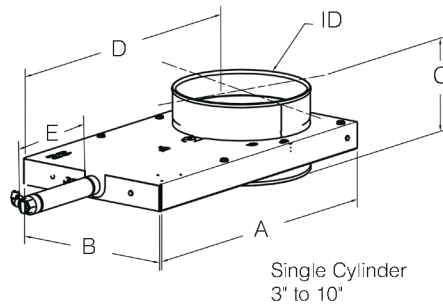
ID In.	"A" In.	"B" In.	"C" In.	"D" In.	"E" In.	Galvanized Steel			
						22ga	20ga	18ga	16ga
3	8.11	4.25	5.25	6.30	8.50	Std for Collar		Optional for Collar	
4	10.31	5.30	5.50	7.81	8.50				
5	12.80	6.00	5.75	9.88	9.50				
6	14.47	7.12	5.75	11.28	11.50				
7	16.25	8.00	5.38	12.44	11.50				
8	18.75	9.30	5.50	14.38	13.50				
9	20.63	10.63	5.50	15.88	13.50				
10	22.63	11.65	5.50	17.25	13.50				
12	30.00	16.00	5.25	23.25	n/a				
14	33.04	18.38	5.25	25.29	n/a				
16	38.52	20.38	11.25	29.65	n/a				
18	46.69	22.38	11.25	37.04	n/a				
20	48.69	24.38	11.25	38.04	n/a				
22	50.69	26.38	11.25	39.04	n/a				
24	55.50	31.2s8	11.25	42.40	n/a				

### Construction / operation

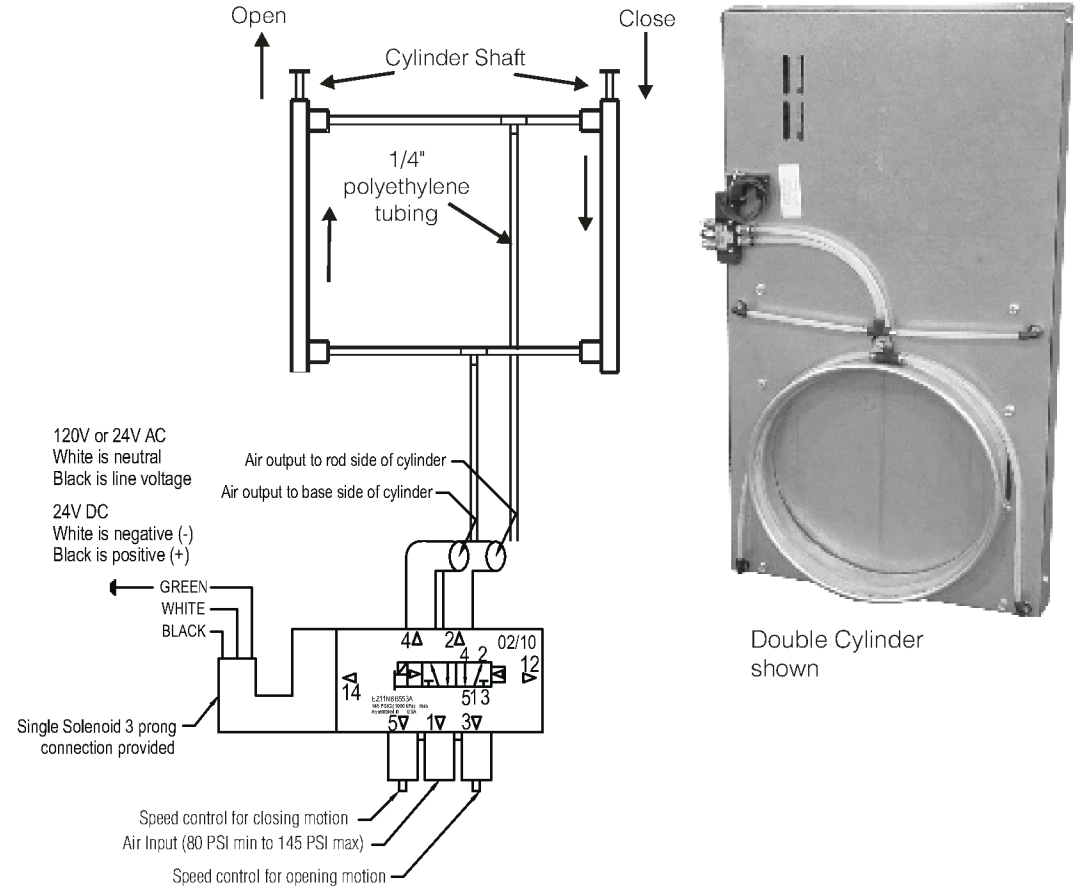
Operated by single acting compressed air magnetic cylinders. Cylinders are controlled by electrically-connected solenoid to machines or remote switch.

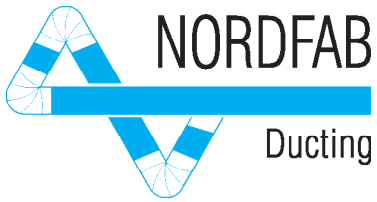
Standard hookup is 120 volt AC  
Optional (must be stated on PO):  
- 24 volt AC or  
- 24 volt DC

- Not available in Stainless Steel



**Ends:** Standard QF end can be changed to Raw ID (RAWID), Raw OD (RAWOD), No Fitting (NF), Hose Adapter (RAW-FLEX), Flat Flange (FFL), Angle Flange (ANGFL), or Van Stone (VANSTONE).





# SD Automatic Blast Gate 3242

TECHNICAL  
DATA

Temperature Rating of Product Components			
° F	Solenoid	Poly tube	Sealant
194°			
140°			
120°	Solenoid is on outside of housing and may handle higher temperatures, depending on location	Poly tube is on outside of housing and may handle higher temperatures, depending on location	UHMW
-14°			
			3M Polyurethane Adhesive Sealant 560

Compliance / Rating of Product Components		
Product	Material	Compliance / Rating
SD Automatic Blast Gate	Galvanized steel	ASTM A527 with a G-90 rating
3M Sealant 560	Polyurethane Adhesive	ASTM E 162, ASTM E 662, Bombardier SP 800-C

### Additional Product Components and Notes

Poly tube	0.25" OD x 0.04 wall poly tube, 120 PSI, Grade E5 LIP, Type 1				
Magnetic Cylinder	<b>Gate Size</b>	<b>Replacement Part No.</b>	<b>Stroke</b>	<b>No. of Cylinders</b>	<b>Bore</b>
	3"	3245-0000-CY030M	1.06 x 3.00	1	1.0625"
	4"	3245-0000-CY040M	1.06 x 4.00		
	5"	3245-0000-CY050M	1.06 x 5.00		
	6"	3245-0000-CY060M	1.06 x 6.00		
	7"	3245-0000-CY070M	1.06 x 7.00		
	8"	3245-0000-CY080M	1.06 x 8.00		
	9"	3245-0000-CY090M	1.06 x 9.00		
	10"	3245-0000-CY100M	1.06 x 10.00		
	12"	3245-0000-CY125M	1.06 x 12.00	2	
	14"	3245-0000-CY140M	1.06 x 14.00		
	16"	3245-0000-CY160M	1.06 x 16.00		
	18"	3245-0000-CY180M	1.06 x 18.00		
	20"	3203-0000-CY060M	1.06 x 20.00		
	22"	3203-0000-CY080M	1.06 x 22.00		
24"	3203-0000-CY100M	1.06 x 24.00			
Crimped round body 304SS tube only. End caps aluminum (non-repairable).					
<ul style="list-style-type: none"> <li>• Ports 0.125" NPT standard</li> <li>• Piston rod diameter 0.312", material 304SS only</li> <li>• Single acting end</li> <li>• Standard fluid: filtered air</li> <li>• Operating medium: pneumatic, 250 PSI max. (normal operating pressure 80 PSI min.)</li> </ul>					

### Additional Product Components and Notes

Solenoid	<b>Replacement Part No.</b>	<b>Description</b>
	3245-SOLE-KIT001	Single Solenoid, 2 Position, 110VAC, 2.5 watts, 1/8" NPT; IP65 Rated, RoHS, CE
	3245-SOLE-KIT002	Single Solenoid, 2 Position, 24VDC, 2.5 watts, 1/8" NPT; IP65 Rated, RoHS, CE
	3245-SOLE-KIT003	Single Solenoid, 2 Position, 24VAC, 2.5 watts, 1/8" NPT; IP65 Rated, RoHS, CE
Coil	<b>Replacement Part No.</b>	<b>Description</b>
	3245-COIL-024DCC	24VDC
	3245-COIL-024ACC	24VAC
	3245-COIL-024ACC	12VDC
	3245-COIL-024ACC	240VAX
	3245-COIL-024ACC	110VAC
Optional - Reed Switch Assembly	<b>Replacement Part No.</b>	<b>Description</b>
	3245-0000-RSW1.06	Assembly includes D-B54 switch and 1.06" band