

ID In.	Height Closed (in.)	Width (in.)	Depth (in.)	Galvanized Steel Collars Only			304SS (for 316SS) Collars Only	
				22ga	20ga	18ga	22ga	20ga
3	7.00	5.25	5.38			Std		
4	6.25	6.12	5.38	Std			Std	
5	10.00	7.00	5.00					
6	11.12	8.00	5.00					
7	12.00	9.37	5.00					
8	13.25	11.00	5.00					
9	14.37	11.37	5.00					
10	16.25	13.50	5.00					
12	17.87	15.75	5.00		Std		Std	
14	28.50	18.00	5.00					
16	28.50	18.00	5.00					

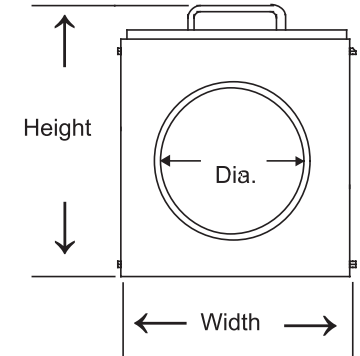
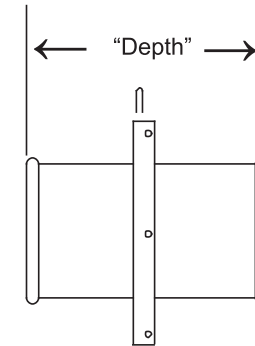
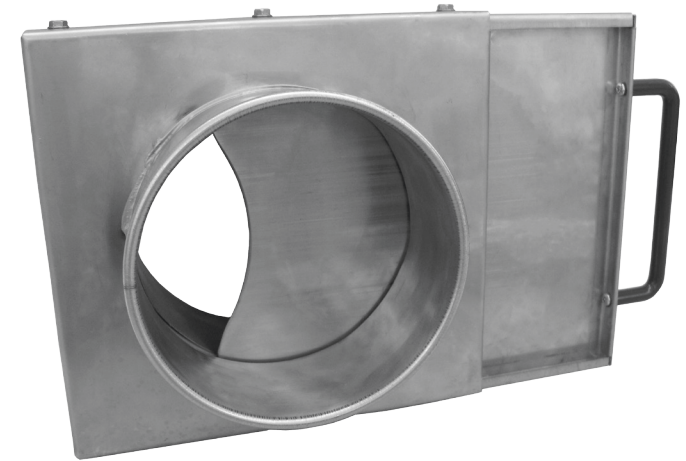
**Construction**

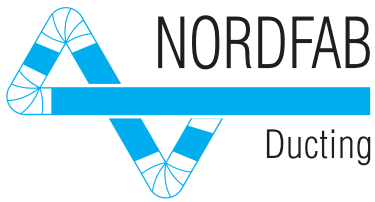
**Blade and body:** 18 gauge

**Collars:** Located on the exterior side of each port and considered as air flow non-directional. Collars have a laser welded longitudinal seam (exception: 3" collars are lapped, spot welded, and caulked.) Collars are spot welded to body.

**Handles:** 1018 carbon steel Powder Coated

**Ends:** Standard QF end can be changed to Raw ID (RAWID), Raw OD (RAWOD), No Fitting (NF), Hose Adapter (RAWFLEX), Flat Flange (FFL), Angle Flange (ANGFL), or Van Stone (VANSTONE).





# Blast Gate NFMES 3241

**TECHNICAL  
DATA**

Temperature Rating of Product Components							Additional Notes
° F	QF Blast Gate NFMES		Seal	Sealants			
-60°	Galvanized Steel	Optional - 304SS	HDPE	3M Scotch Seal Metal Sealant 2084	Optional - 3M Polyurethane Adhesive Sealant 540	Optional - Rock River Silicone Sealant	Optional - Epoxy - 3M DP 125 Gray Sealant
-40°							
0°							
194°							
250°							
Galvanized steel provides little or no breakdown of zinc (zinc melting point 740°F)							
304SS: bluing may occur at 800° F and above							

Compliance / Rating of Product Components		
Product	Material	Compliance / Rating
QF Blast Gate NFMES	Galvanized	ASTM A527 with a G-90 rating
	304SS	Finish meets ASTM A240
	316SS	Finish meets ASTM A240
Gasket	High Density Polyethylene (HDPE)	
Gasket Spring	Poron Celular Urethane	
3M Scotch Seal Metal Sealant 2084	Acetone blend	AAMA Specification 801.1
3M Polyurethane Sealant 540	Polyurethane	ASTM E 162, ASTM E 662, Bombardier SP 800-C
Rock River Sealant	100% Silicone	ASTM C920 Class 25, TT-S-00230C Class A and TT-S-001543A, FDA No 421 CFR 117.2600, conforms to FDA requirements