

Manual Blast Gate, Stainless Steel 3240

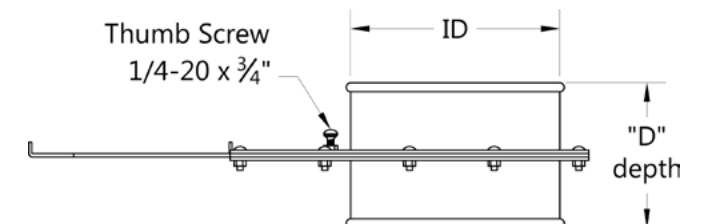
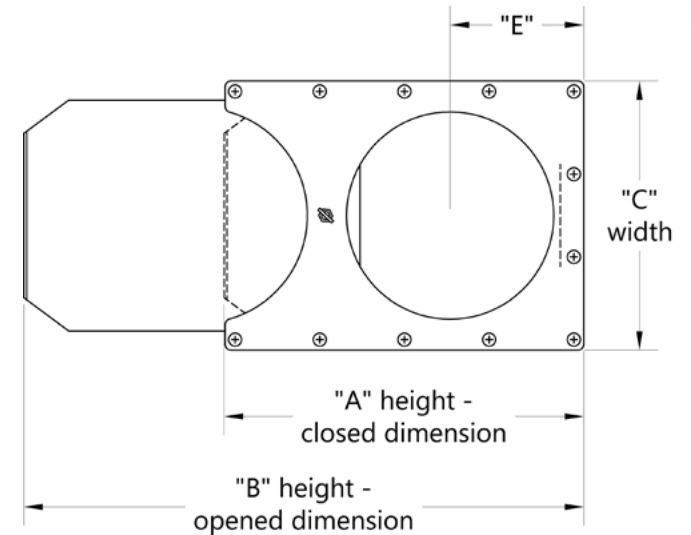
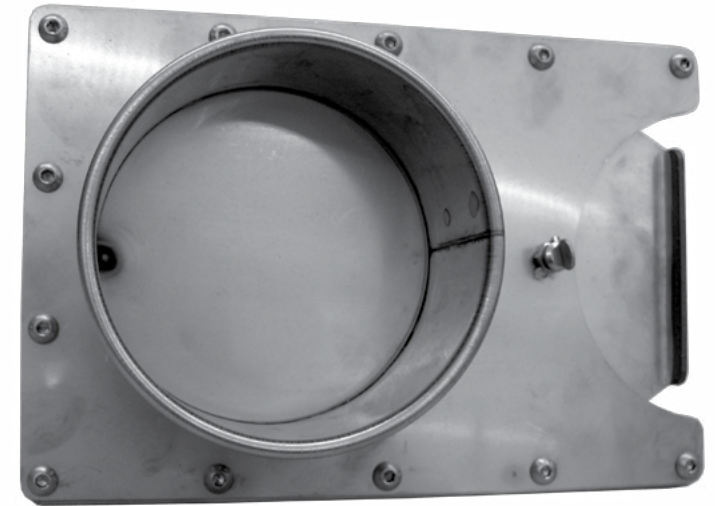
ID In.	Ends	"A" Height Closed (in.)	"B" Height Opened (in.)	Stainless Steel			Stainless Steel Collars Only			
				"C" Width (in.)	"D" Depth (in.)	"E"	22ga	20ga	18ga	
3	QF	6.50	9.13	5.00	5.38	2.75	Std			
4	QF	7.75	11.50	6.00	5.50	3.00				
5	QF	10.50	14.75	7.00	5.50	3.50				
6	QF	11.13	16.75	8.00	5.50	4.00				
7	QF	12.13	18.75	9.00	5.25	4.50				
8	QF	13.63	21.13	10.00	5.25	5.00				
9	QF	15.13	24.00	11.00	5.50	5.50				
10	QF	17.13	26.75	12.00	5.25	6.00				
11	QF	19.13	28.75	13.00	5.50	6.50				
12	QF	20.38	32.13	14.00	5.00	7.00				
14	QF	23.25	36.75	16.00	5.00	8.00		Optional		
16	QF	26.25	40.75	18.00	5.00	9.00				
18	QF	29.25	44.75	20.00	5.00	10.00				
20	QF	32.25	48.75	22.00	5.00	11.00				
22	QF	35.25	52.75	24.00	5.00	12.00				
24	QF	38.25	56.75	26.00	5.00	13.00				
26	AF	41.25	60.75	28.00	5.75	14.00	Std			
28	AF	44.25	64.75	30.00	5.75	15.00				
30	AF	47.25	68.75	32.00	5.75	16.00				

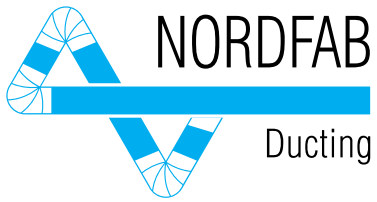
Ends: QF = Quick Fit Rolled Edges | AF = Angle Flange

Construction

- SS Collars are fully welded to SS body.
- Body and blade are 12ga.

Ends: Standard QF end can be changed to Raw ID (RAWID), Raw OD (RAWOD), No Fitting (NF), Hose Adapter (RAWFLEX), Flat Flange (FFL), Angle Flange (ANGFL), or Van Stone (VANSTONE).





Manual Blast Gate, Stainless Steel 3240

TECHNICAL
DATA

Temperature Rating of Product Components	
° F	QF Manual Blast Gate
-60°	Stainelss Steel
-40°	
0°	
1100°	

Additional Notes
304SS: • bluing may occur at 800° F and above

Compliance / Rating of Product Components		
Product	Material	Compliance / Rating
QF Manual Blast Gate	304SS	Finish meets ASTM A240
	316SS	Finish meets ASTM A240