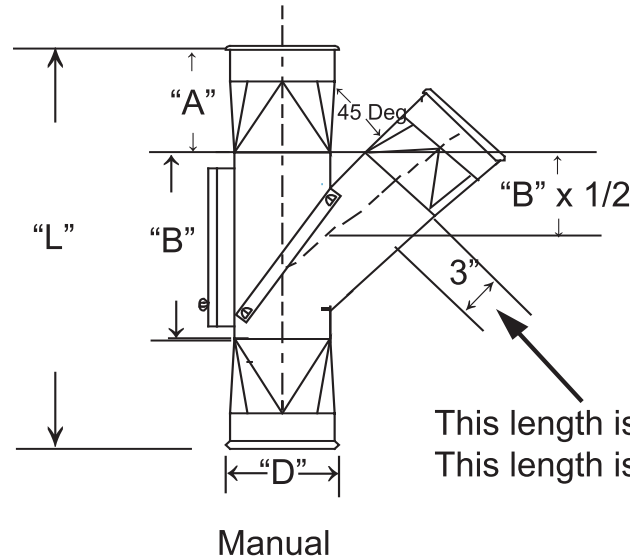


Manual Diverter Valve 3235

ID In.	"A" (in.)	"B" (in.)	"D" (in.)	L (in.)	Housing Black Metal	Housing 304SS
					3/16" thick	3/16" thick
3	6	14	3	26	Std	Optional
4	6	14	4	26		
5	6	15.25	5	27.25		
6	6	16	6	28		
7	6	16	7	28		
8	6	17	8	29		
9	8	18	9	34		
10	8	20	10	36		
11	8	20	11	36		
12	8	24	12	40		
13	8	24	13	40		
14	8	28	14	44		
15	8	28	15	44		
16	8	32	16	48		
17	8	32	17	48		
18	8	36	18	52		
20	10	40	20	60		
22	10	41.25	22	61.25		
24	10	48	2	68		



Construction

Constructed of heavy 3/16" thick, painted metal, with welded seams. Supplied with heavy duty flange bearings and rubber seal in 14ga steel door. Rubber seal is 1/4" thick polymer compound #AB-3205.

Airflow: Can be reversed in fabrication upon request.

Manual Diverter Valve 3235

Temperature Rating of Product Components							
° F	QF Manual Diverter Valve		Sealants				
-60°	Black Metal	Stainless Steel	3M Scotch Seal Metal Sealant 2084	Optional - 3M Polyurethane Adhesive Sealant 540	Optional - Rock River Silicone Sealant	Optional - Red Devil HVAC/R High Temperature Silicone Sealant	Optional - Epoxy - 3M DP 125 Gray Sealant
-40°							
0°							
194°							
250°							
500°							
1100°							
2600°							

Additional Notes
Rock River Silicone Sealant and Red Devil HVAC/R High Temperature Silicone Sealant are not paintable
304SS: bluing may occur at 800° F and above

Compliance / Rating of Product Components		
Product	Material	Compliance / Rating
QF Manual Diverter Valve	Galvanized	ASTM A527 with a G-90 rating
	304SS	Finish meets ASTM A240
	316SS	Finish meets ASTM A240
3M Scotch Seal Metal Sealant 2084	Acetone blend	AAMA Specification 801.1
3M Polyurethane Sealant 540	Polyurethane	ASTM E 162, ASTM E 662, Bombardier SP 800-C
Rock River Sealant	100% Silicone	ASTM C920 Class 25, TT-S-00230C Class A and TT-S-001543A, FDA No 421 CFR 117.2600, conforms to FDA requirements
Red Devil HVAC/R High Temperature Sealant	Silicone	ASTM C920 Class 25, TT-S-00230C Class A and TT-S-001543A, CEBTP 432.6 140-2, Mil Spec 46106A, CGSB 19C9-9B, DIN 18540 Part 2, OREX 150031-2