

QF Mist Recycler 3192

Size In.	ID In.	OD In.	Rolled Edge (nom. in.)	A In.	B In.	Baffle Size In.	Std Weight Lbs	Galv. Steel		304SS (or 316SS)	
								22ga	20ga	22ga	20ga
3	2.90	3.00	0.2	14	18	10 x 14	11.10	Std	Optional	Std	Optional
4	3.86	3.93	0.2	14	18	10 x 14	11.25				
5	4.87	4.94	0.2	14	18	10 x 14	11.45				
6	5.89	5.96	0.2	14	18	10 x 14	11.60				
7	6.89	6.96	0.3	20	24	16 x 20	22.70				
8	7.88	7.95	0.3	20	24	16 x 20	22.85				
9	8.88	8.95	0.3	20	24	16 x 20	23.10				
10	9.89	9.95	0.3	20	24	16 x 20	23.30				
12	11.97	12.04	0.4	20	28	20 x 20	32.85				

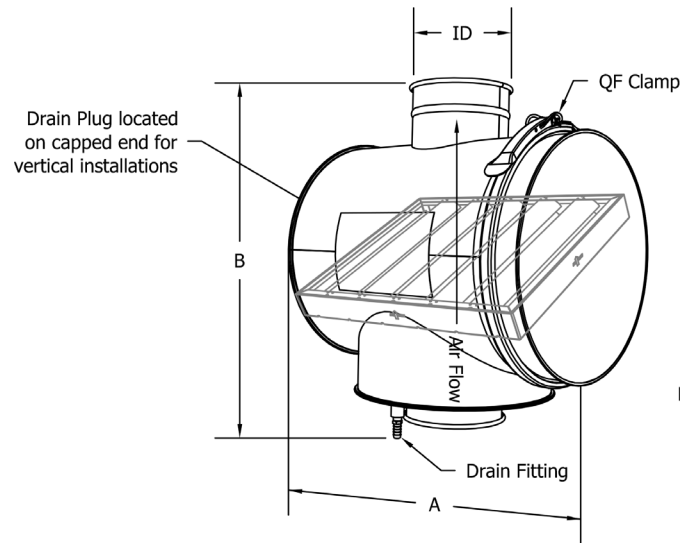


5' clear hose and hose clamp provided for drain tap.

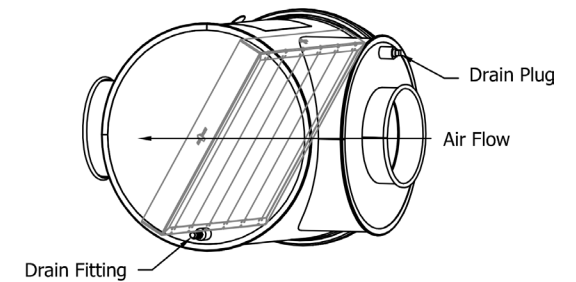
Construction

Constructed of 22ga thick Galvanized or SS, with lapped, spot welded, and epoxy caulked seams. The main body of the unit includes an end cap, clamp, and molded gasket for internal access and maintenance. Product can be mounted in vertical or horizontal applications and includes 5' of clear PVC tubing and hose clamp for the drain fitting.

Note: Standard QF end can be changed to Raw ID (RAWID), Raw OD (RAWOD), No Fitting (NF), Hose Adapter (RAWFLEX), Flat Flange (FFL), Angle Flange (ANGFL).



Vertical Installation



Horizontal Installation

Temperature Rating of Product Components				
° F	QF Mist Recycler	Molded Gasket	Clamp Gasket	Sealants
-60°	Galvanized Steel	Optional - 304SS	Nordfab Leak-free Gasket	Nordfab Nitrile Clamp Gasket
0°				
158°				

Additional Notes
Galvanized steel provides little or no breakdown of zinc (zinc melting point 740°F)
304SS: • bluing may occur at 800° F and above

Compliance / Rating of Product Components		
Product	Material	Compliance / Rating
QF Mist Recycler	Galvanized	ASTM A527 with a G-90 rating
	304SS	Finish meets ASTM A240
	316SS	Finish meets ASTM A240

Additional Product Components and Notes				
Molded gasket	Performs well in many oil, water, and hydraulic fluid applications. Should not be used with solvents such as acetone, MEK, ozone, chlorinated hydrocarbons, and nitro hydrocarbons. Replacement Part Nos. 3190-0400 thru 3190-1200			
Internal Baffle	Replacement Part No.	Description	Replacement Part No.	Description
	3192-0000-BAF003	10" x 14" Baffle (3" to 6" Galvanized)	3192-0000-BAF203	10" x 14" Baffle (3" – 6" SS 304)
	3192-0000-BAF001	16" x 20" Baffle (7" to 10" Galvanized)	3192-0000-BAF201	16" x 20" Baffle (7" – 10" SS 304)
	3192-0000-BAF002	20" x 20" Baffle (12" Galvanized)	3192-0000-BAF202	20" x 20" Baffle (12" SS 304)
Drain Fittings	Replacement Part No.	Description		
	3192-0000-NIPP01	1/2" Barb 1/4" NPT, brass construction (Galvanized)		
	3192-0000-NIPP02	1/2" Barb 1/4" NPT, SS 304 construction (SS304)		
Drain Plugs	Replacement Part No.	Description		
	3192-0000-PLUG01	1/4" Plug SQ BK (Galvanized)		
	3192-0000-PLUG02	1/4" Plug SQ SS (SS 304)		
PVC Tubing	Replacement Part No.	Description		
	3245-12340-PVC00	Tygon PVC Tubing 1/2"		
Hose Clamp	Replacement Part No.	Description		
	3260-0916-116516	Worm Hose Clamp 9/16" to 1-1/16"		