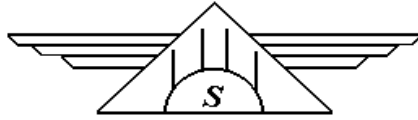


# SISNEROS BROS. MFG.



Air Cleaning Specialists, Inc.

(866) 455-2130

www.ductingsystems.com

## VOLUME CONTROL DAMPER

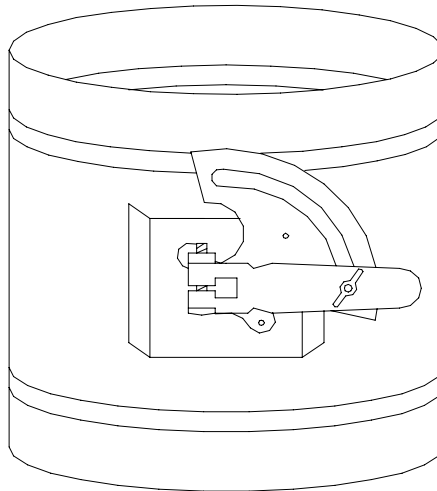
**MODEL #:** SBWM-VCD

**TYPE:** ROUND

## CONSTRUCTION SPECIFICATIONS

BODY GAUGE:	22 GA.
FRAME:	12" AND SMALLER 13" AND LARGER - MIN 20 GA.
BLADE GAUGE:	20 GA.
AXEL ROD:	SOLID 1/2" SQUARE
VELOCITY:	1500 F.P.M.
QUADRANT:	DURO DYNE KL-7
SIZES:	PER SPEC

**MANUAL LOCKING QUADRANT  
AND SEALED OPPOSITE END BEARING**



TOTAL LENGTH OF DAMPER	QUANTITY	DIAMETER
L = 20" for Diameters greater than or equal to 20"		
L = 15" for Diameters 14" through 19"		
L = 10" for Diameters 9" through 13"		
L = 8½" for Diameters less than or equal to 8"		

PROJECT:	APPROVED BY:
CONTRACTOR:	WAL-MART